

Thank you for purchasing this Dynojet kit. This kit has been developed for a motorcycle which is set to the parameters listed at the right in the "Stage" description. If your motorcycle does not meet any of these parameters please check with Dynojet before installation. For technical assistance contact your Dynojet distributor or call Dynojet U.S.A. (800)-992-4993

2191 Mendenhall Dr. Suite 105
 North Las Vegas, NV 89031
 TEL: 702-399-1423
 FAX: 702-399-1431
 8am-5pm Pacific Time
 Monday through Friday

Website Address
<http://www.dynojet.com>

The manufacturer and seller make no warranties express or implied which extend beyond the description of the goods contained herein. Any description of this product is for the purpose of identifying it and shall not be deemed to create an express warranty.



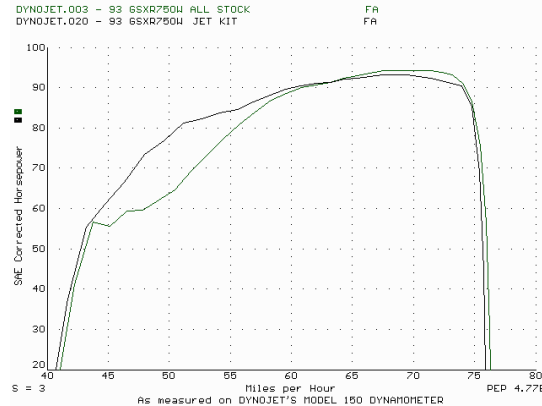
3139HA.001

High Altitude Only

1993-95 Suzuki GSXR750W

Stage 1

For mildly tuned machines using the stock airbox, with stock or K&N filter. May also be used with a good aftermarket exhaust system
 K&N filter #SU-7593



This graph shows a typical gain with a Dynojet jet kit.

WARNING

**NO SMOKING!
 NO OPEN FLAME!
 WHILE INSTALLING
 YOUR DYNOJET KIT**

Parts List

4	Main Jet	DJ112
4	Main Jet	DJ116
4	Fuel Needles	DNO340
4	E-Clips	DE0001
4	Adjusting Washers	DW0001
4	Emulsion Tubes	DET004
4	Slide Springs	DSP008
1	Plug Drill	DD #5/32
1	Screw	DS0001

STAGE ONE INSTRUCTIONS

1. Remove the vacuum slides from the carbs. Remove the stock needles and spacers, noting order of assembly (Fig. A). Using the DD #5/32 drill bit provided, enlarge both slide lift holes (Fig. A). **Do not drill the needle hole.**

2. Remove the stock main jets. Tap lightly on the emulsion tubes to push them into the carb venturi and remove. Install the Dynojet emulsion tubes (DET004) in place of the stock emulsion tubes (Fig. B).

3. Install the Dynojet main jets provided. If you are running the stock exhaust install the DJ112 main jets. If you are running an aftermarket exhaust or slip-on with a high flowing baffle, use the DJ116 main jets. Be sure that the jet you are changing is the main jet.

4. Install the Dynojet needles on groove #4. Use all stock spacers (Fig. A). Install the small Dynojet washers above the e-clip. Install the Dynojet slide springs (DSP008) in place of the stock slide springs. After installing the slides in the carbs be sure to check slide movement manually

5. Locate the fuel mixture plug (Fig. C). If you see a screw head at Fig. C proceed to adjusting procedure. With the DD #5/32 drill bit provided carefully drill through the plugs. **NOTE:** The mixture screw is directly underneath this plug, be ready to pull back on the drill the instant you break through. Use screw provided to secure and remove this plug. Carefully turn mixture screws clockwise until lightly seated, then back out 3 turns.

DYNOJET

3139HA.001

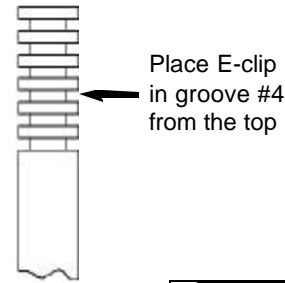


Fig. C

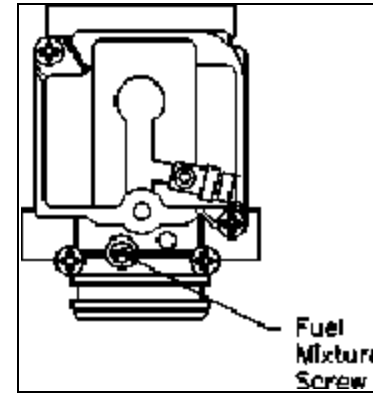


Fig. A

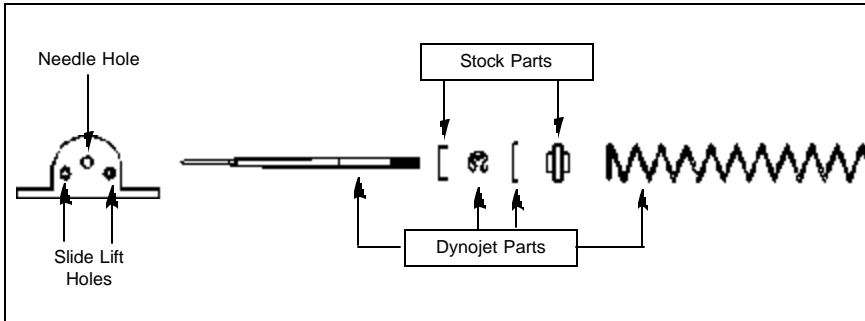


Fig. B

