

Thank you for purchasing this Dynojet kit. This kit has been developed for a motorcycle which is set to the parameters listed at the right in the "Stage" description. If your motorcycle does not meet any of these parameters please check with Dynojet before installation. For technical assistance contact your Dynojet distributor or call Dynojet U.S.A. (800)-992-4993

2191 Mendenhall Dr. Suite 105  
 North Las Vegas, NV 89081  
 TEL: 702-399-1423  
 FAX: 702-399-1431  
 8am-5pm Pacific Time  
 Monday through Friday

Website Address  
<http://www.dynojet.com>

The manufacturer and seller make no warranties express or implied which extend beyond the description of the goods contained herein. Any description of this product is for the purpose of identifying it and shall not be deemed to create an express warranty.

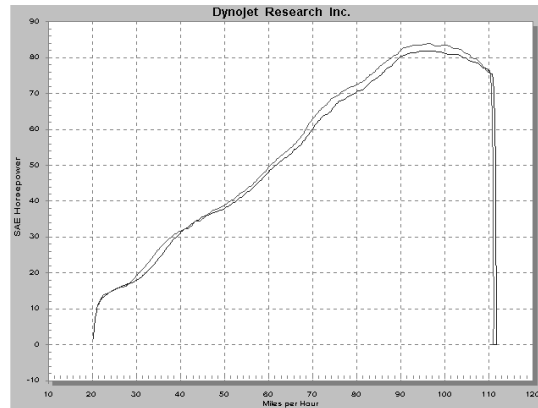


**3158.001**  
 U.S Models Only

1998-2006 Suzuki GSX750 Katana

**Stage 1**

For mildly tuned machines using the stock air-box, with stock or K&N filter. May also be used with a good aftermarket exhaust system K&N filter #SU-7592



*This graph shows a typical gain with a Dynojet jet kit.*

# WARNING

**NO SMOKING!  
 NO OPEN FLAME!  
 WHILE INSTALLING  
 YOUR DYNOJET KIT**

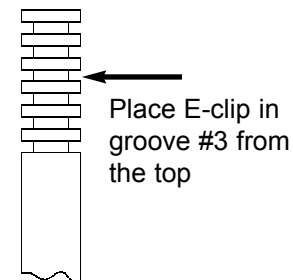
<b>Parts List</b>		
4	Main Jets	DJ106
4	Main Jets	DJ110
4	Main Jets	DJ114
4	Main Jets	DJ118
4	Main Jets	DJ122
4	Fuel Needles	DNO255
4	E-clips	DE0001
4	Adjusting Washers	DW0001
4	Slide Springs	DSP026
4	Needle Springs	DSP77
1	Plug Drill	DD 5/32
1	Screw	DS0001

## STAGE ONE INSTRUCTIONS

**Dynojet**

3158.001

1. Remove the vacuum slides from carbs. Remove stock needles and spacers, noting order of assembly (Fig. A).
2. Install the Dynojet needles on groove #3 from the top. Use all stock spacers (Fig. A). The small Dynojet washers are for half step increments and do not have to be installed at this time. Install the Dynojet slide springs (DSP026) in place of the stock slide springs. **NOTE: The DSP77 springs do not have to be used, they are supplied in case the stock springs are misplaced.** After installing the slides in carbs be sure to check slide movement manually.
3. Install the Dynojet main jets provided. If you are running the stock exhaust install the DJ110 main jets. If you are running an aftermarket exhaust or slip-on with a high flowing baffle, use the DJ114 main jets. Be sure that the jet you are changing is the main jet.
4. Locate the fuel mixture plug (Fig. B). If you see a screw head at Fig. B proceed to adjusting procedure. With the 5/32 drill bit provided carefully drill through the plugs. **NOTE: The mixture screw is directly underneath this plug, be ready to pull back on the drill the instant you break through.** Use screw provided to secure and remove this plug. Carefully turn mixture screws clockwise until lightly seated, then back out 3.5 turns.



**NOTE: If you are using a K&N air filter you will need to use the large velocity ring with the taper facing away from the motor. You will need to install a main jet that is 4 points larger. ie: if you are using the DJ110 main jets you will need to install the DJ114 main jets.**

Fig. A

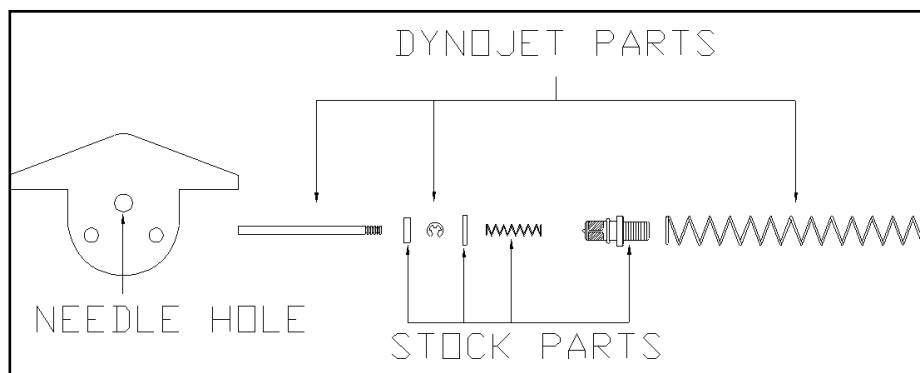


Fig. B

