

Thank you for purchasing this Dynojet kit. This kit has been developed for a motorcycle which is set to the parameters listed at the right in the "Stage" description. If your motorcycle does not meet any of these parameters please check with Dynojet before installation. For technical assistance contact your Dynojet distributor or call Dynojet U.S.A. (800)-992-4993

2191 Mendenhall Dr. Suite 105  
 North Las Vegas, NV 89031  
 TEL: 702-399-1423  
 FAX: 702-399-1431  
 8am-5pm Pacific Time  
 Monday through Friday

Website Address  
<http://www.dynojet.com>

The manufacturer and seller make no warranties express or implied which extend beyond the description of the goods contained herein. Any description of this product is for the purpose of identifying it and shall not be deemed to create an express warranty.



4107.004

U.S Models Only

1984-86 Yamaha XJ & FJ600

**Stage 1&3**

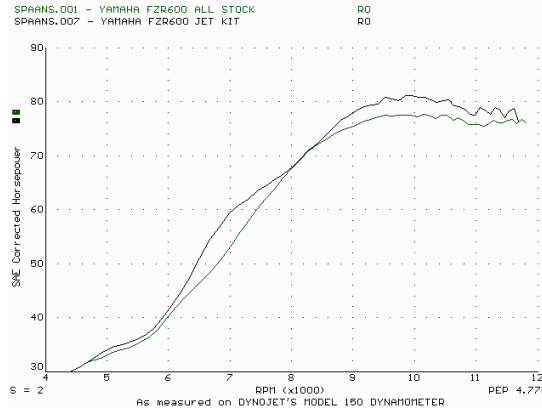
**STAGE 1**

For mildly tuned machines using the stock airbox, with stock or K&N filter #YA-1684

**STAGE 3**

For mildly tuned machines using individual filters or velocity stacks. K&N filters #RC-1824

Both stages may be used with a good aftermarket exhaust



*This graph shows a typical gain with a Dynojet jet kit.*

# WARNING

**NO SMOKING!  
 NO OPEN FLAME!  
 WHILE INSTALLING  
 YOUR DYNOJET KIT**

## Parts List

4	Main Jets	DJ110
4	Main Jets	DJ114
4	Main Jets	DJ128
4	Main Jets	DJ132
1	Slide Drill	DD #30
4	Fuel Needles	DNO466
4	Adjusting Washers	DW0001
4	E-clips	DE0001
1	Plug Drill	DD #5/32
1	Screw	DS0001

**STAGE ONE INSTRUCTIONS**

1. Remove the vacuum slide from the carbs. Remove the stock needles & spacers, noting the order of assembly. Use the DD #30 drill bit provided to enlarge slide lift holes (Fig. A).
2. Install the Dynojet needles on groove #3, using all stock spacers (Fig. A). Install the Dynojet washers above the e-clip.
3. Remove the main jet and replace with the Dynojet main jets provided. Use the DJ110 main jets with stock exhaust, or use the DJ114 main jets with free flowing aftermarket exhaust. Be sure that the jets you are changing are the main jets.
4. Locate the fuel Mixture plug (Fig. B), if you see a screw head, proceed to adjusting procedure. With the DD #5/32 drill bit provided, carefully drill thru the plugs. NOTE: the mixture screw is directly underneath this plug, be ready to pull back on the drill the instant you break thru. Use screw provided to secure and remove the plug. Carefully turn mixture screw clockwise until seated, then back out 3 turns.

**STAGE THREE INSTRUCTIONS**

1. Remove the vacuum slide from the carbs. Remove the stock needles & spacers, noting the order of assembly. Use the DD #30 drill bit provided to enlarge slide lift holes (Fig. A).
2. Install the Dynojet needles on groove #3, using all stock spacers (Fig. A). Install the Dynojet washers above the e-clip.
3. Remove the main jet and replace with the Dynojet main jets provided. Use the DJ128 main jets with stock exhaust, or use the DJ132 main jets with free flowing aftermarket exhaust. Be sure that the jets you are changing are the main jets.
4. Locate the fuel mixture plug (Fig. B), if you see a screw head, proceed to adjusting procedure. With the DD #5/32 drill bit provided, carefully drill thru the plugs. NOTE: the mixture screw is directly underneath this plug, be ready to pull back on the drill the instant you break thru. Use screw provided to secure and remove the plug. Carefully turn mixture screw clockwise until seated, then back out 3 turns.

Fig. A

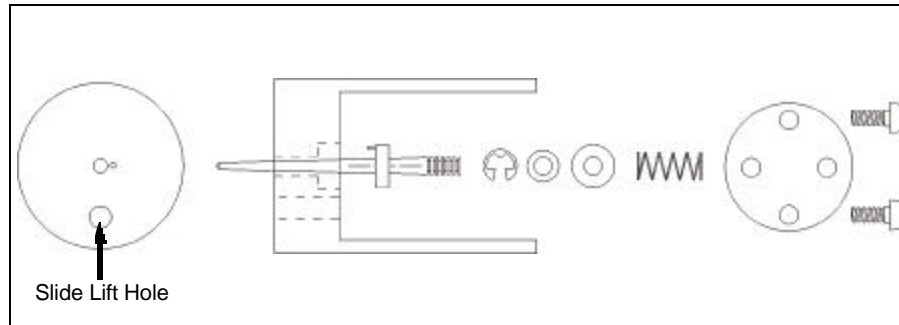
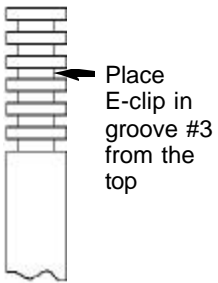
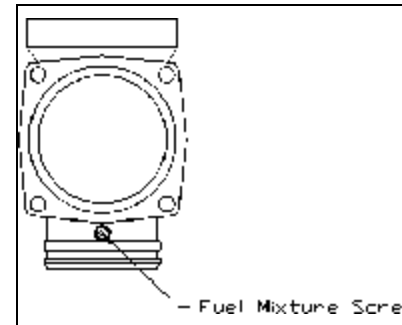


Fig. B



Slide Lift Hole

- Fuel Mixture Screw