

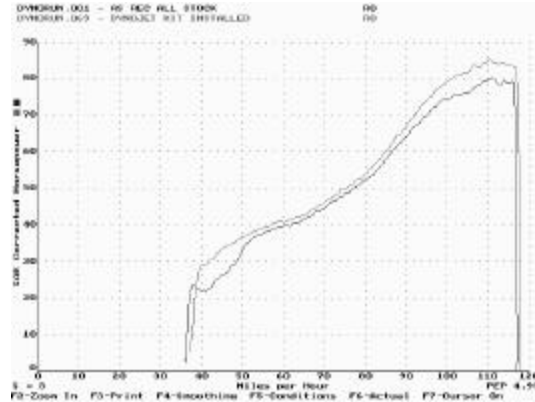
Thank you for purchasing this Dynojet kit. This kit has been developed for a motorcycle which is set to the parameters listed at the right in the "Stage" description. If your motorcycle does not meet any of these parameters please check with Dynojet before installation. For technical assistance contact your Dynojet distributor or call Dynojet U.S.A. (800)-992-4993



8116.002
U.S Models Only

1998 Buell S1W & S3
THUNDERSLIDE JET KIT

For stock or tuned machines using the stock or high flow airbox. May also be used with a good aftermarket exhaust system



This graph shows a typical gain with a Dynojet jet kit.

2191 Mendenhall Dr. Suite 105
North Las Vegas, NV 89031
TEL: 702-399-1423
FAX: 702-399-1431
8am-5pm Pacific Time
Monday through Friday

Website Address
<http://www.dynojet.com>

The manufacturer and seller make no warranties express or implied which extend beyond the description of the goods contained herein. Any description of this product is for the purpose of identifying it and shall not be deemed to create an express warranty.

WARNING
NO SMOKING!
NO OPEN FLAME!
WHILE INSTALLING
YOUR DYNOJET KIT

| Parts List | | |
|------------|--------------------------|----------|
| 1 | Main Jet | BJ175 |
| 1 | Main Jet | BJ185 |
| 1 | Main Jet | BJ195 |
| 1 | Main Jet | BJ205 |
| 1 | Fuel Needle | DNO891 |
| 1 | E-Clip | DE0001 |
| 1 | Thunder Slide | DTS005 |
| 1 | Diaphragm Retainer Upper | DTS002 |
| 1 | Diaphragm Retainer Lower | DTS004 |
| 1 | Needle Spacer | THNR01 |
| 1 | Thunder Nozzle | THNOZ2 |
| 1 | Check Ball | BB #1/8 |
| 1 | Check Ball Weight | DW070 |
| 1 | Slide Spring | DSP009 |
| 1 | Emulsion Tube | DET007 |
| 1 | Slow Jet | DJSJ045 |
| 1 | Plug Drill | DD #5/32 |
| 1 | Screw | DS0001 |
| 1 | Diaphragm Instructions | DI8116S |

Installation Instructions

DYNOJET

8116.002

1. Remove the carburetor float bowl. Remove the stock main jet and emulsion tube (Fig. D), sometimes referred to as the main jet holder. Replace the stock emulsion tube with the Dynojet emulsion tube provided (DET007). When the Dynojet tube is fully seated there will still be threads visible. Install the Dynojet main jet provided. Use the BJ170 main jet with a completely stock bike. Use the BJ175 main jet with an aftermarket airbox. With an aftermarket exhaust and stock or aftermarket airbox use the BJ185 main jet.
2. Carefully remove the float bowl gasket and save for reinstallation. Using a vice (Fig. E) clamp on to the stock accelerator pump nozzle and remove by twisting and pulling it out of the float bowl. Remove the stock check valve. Install the check ball (BB1/8) and brass weight (DW070) into the float bowl (Fig. B). Press the Dynojet Thunder Nozzle into the stock pump nozzle hole and lightly tap into place (Fig. D). The spray hole in the nozzle should face the brass float bowl drain tube (Fig. C).
3. Install the 45 slow jet provided (DJSJ045).
4. Carefully reinstall the float bowl gasket and the float bowl.
5. Locate the fuel mixture plug (Fig. F), if you see a screw head at Fig. F proceed to the adjusting procedure. With the 5/32 drill provided, carefully drill through the plug. **NOTE:** The mixture screw is directly underneath this plug, be ready to pull back on the drill the instant you break through. Use screw provided to secure and remove this plug. Carefully turn mixture screw in until lightly seated, then back out 3 turns.

Fig. E



Fig. A

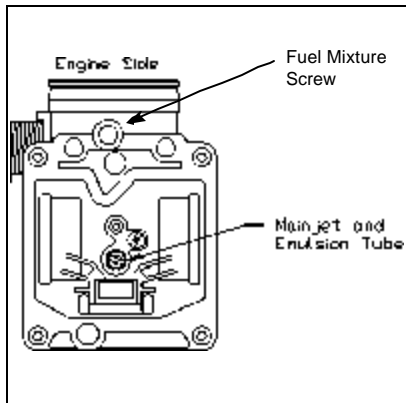


Fig. B

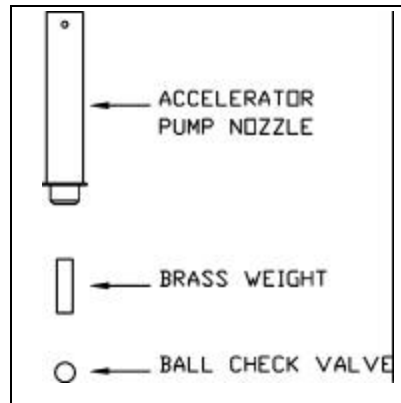


Fig. C

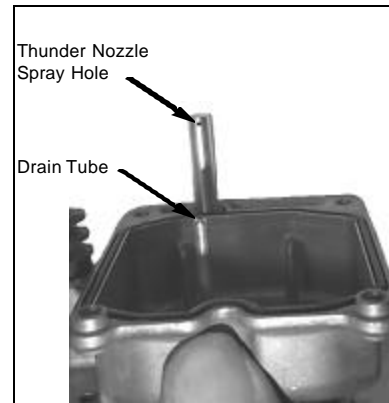


Fig. D



THUNDERSLIDE DIAPHRAGM & NEEDLE INSTALLATION INSTRUCTIONS

DYNOJET
DI8116S.002

1. Remove the carb top, slide spring, needle retainer, and needle.
2. Carefully remove the original rubber diaphragm from the metal slide by gently pulling at the inner edge of the diaphragm in a circular motion until diaphragm is out of the stock slide retaining groove. The stock rubber diaphragm will be installed on the Thunderslide.
3. To assemble the stock diaphragm on the Thunderslide, first install the larger slide retainer (DTS004) with the radial grooves facing up on to the slide (Fig. A). You will notice that the slide has a collar on the top which you will have to push the larger retainer past.
4. Lay the diaphragm on the lower retainer in the same direction it was on the stock slide.
5. Press the small slide retainer (DTS002) with the grooves facing down, on top of the diaphragm (Fig. A). You should hear a “snap” as it goes together. Make sure it is flat and secure on top of the slide and that the diaphragm is centered.
6. Install the e-clip on groove #4 of the Dynojet needle (Fig. C). Install Thunderslide, Dynojet needle, needle spacer, white needle retainer and Dynojet slide spring (DSP009) into the carb body (Fig. B).

Fig. C

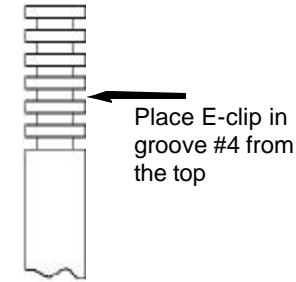


Fig. A

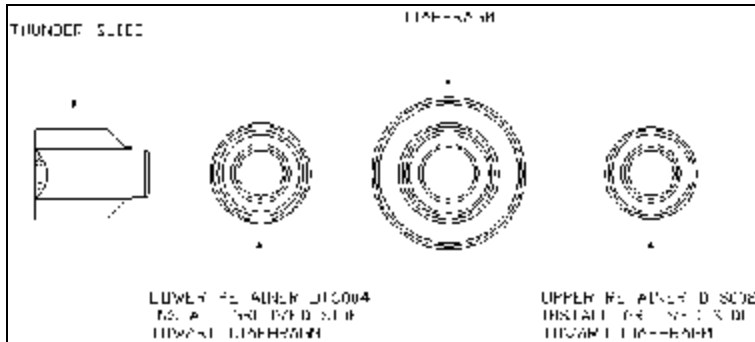


Fig. B

