

Q406.002

1993-2004 Yamaha

350 Warrior

Stage 1 & 2

Stage 1

For mildly tuned machines using the stock airbox with stock or aftermarket filter. May also be used with a good aftermarket exhaust system.

Stage 2

For mildly tuned machines using a modified airbox, with stock or aftermarket filter. May also be used with a good aftermarket exhaust system.

<i>Parts List</i>		
1	Main Jet	DJ126
1	Main Jet	DJ128
1	Main Jet	DJ130
1	Main Jet	DJ132
1	Main Jet	DJ134
1	Main Jet	DJ136
1	Main Jet	DJ138
1	Main Jet	DJ140
1	Main Jet	DJ142
1	Main Jet	DJ144
1	Main Jet	DJ146
1	Main Jet	DJ148
1	Main Jet	DJ150
1	Fuel Needle	DNO240
1	Adjusting Washer	DW0001
1	E-Clip	DE0001

STAGE ONE INSTRUCTIONS

1. Remove top carb plate. Remove the slide lift arm screw and the two needle plate screws. Flip the linkage forward and remove the slide (Fig. A).
2. Install Dynojet needle on groove #4 for applications below 5000 feet, groove #3 for above 5000 feet, using all stock spacers.
3. Remove the stock main jet and replace with the Dynojet main jet provided. If you are running the stock exhaust, use the DJ134 below 3000 feet, DJ130 from 3000 to 6000 feet and DJ126 above 6000 feet. If you are running an aftermarket exhaust, use the DJ136 below 3000 feet, DJ132 from 3000 to 6000 feet and DJ128 above 6000 feet. Be sure that the jet you are changing is the main jet. Discard the plastic cup that is on the stock main jet.
4. Locate the Fuel Mixture Screw (Fig.B). Using a flat blade screwdriver, turn the mixture screw clockwise until it seats, then turn out 2 1/2 turns.

STAGE TWO INSTRUCTIONS

You must modify your airbox lid to run stage two settings.

1. Remove top carb plate. Remove the slide lift arm screw and the two needle plate screws. Flip the linkage forward and remove the slide (Fig. A).
2. Install Dynojet needle on groove #4 for applications below 5000 feet, groove #3 for above 5000 feet, using all stock spacers.
3. Remove the stock main jet and replace with the Dynojet main jet provided. If you are running the stock exhaust, use the DJ146 below 3000 feet, DJ142 from 3000 to 6000 feet and DJ138 above 6000 feet. If you are running an aftermarket exhaust, use the DJ148 below 3000 feet, DJ144 from 3000 to 6000 feet and DJ140 above 6000 feet. Be sure that the jet you are changing is the main jet. Discard the plastic cup that is on the stock main jet.
4. Locate the Fuel Mixture Screw (Fig.B). Using a flat blade screwdriver, turn the mixture screw clockwise until it seats, then turn out 2 1/2 turn.

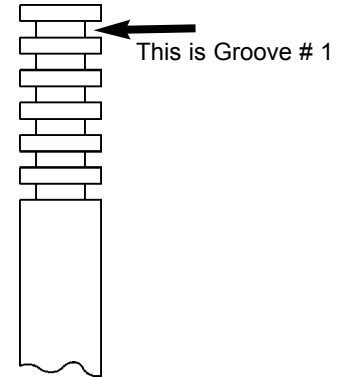
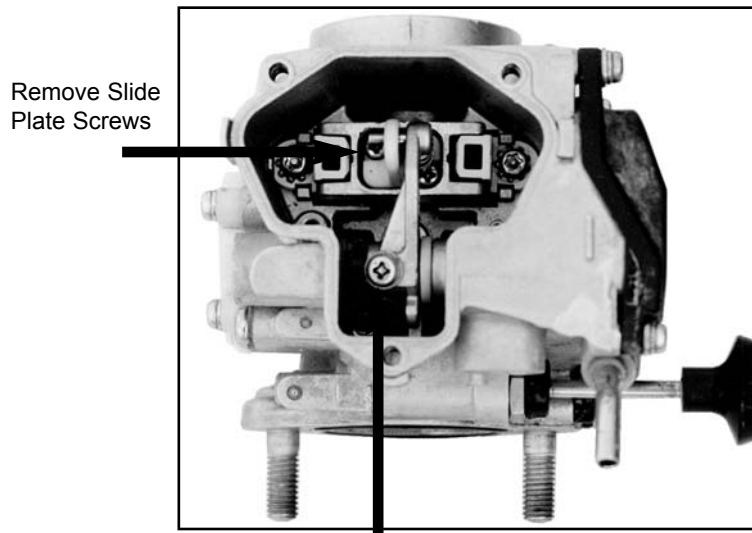
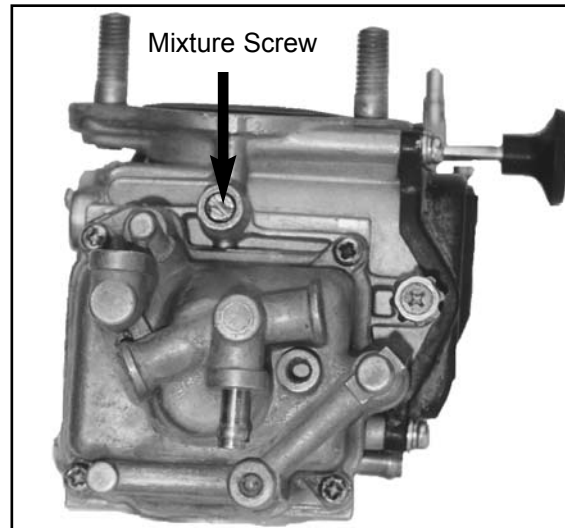


Fig. A



Remove The
Lift Arm Screw

Fig. B



Your airbox cover should look like this when properly modified. Make sure not to cut the airfilter retainer groove. Remove stock snorkel.



NOTE: Make sure that your accelerator pump is working properly. If it is not, check the rubber boot on the accelerator shaft to make sure it is pushed down below the ridge. This boot is located under the cover on the left hand side of the carburetor.

