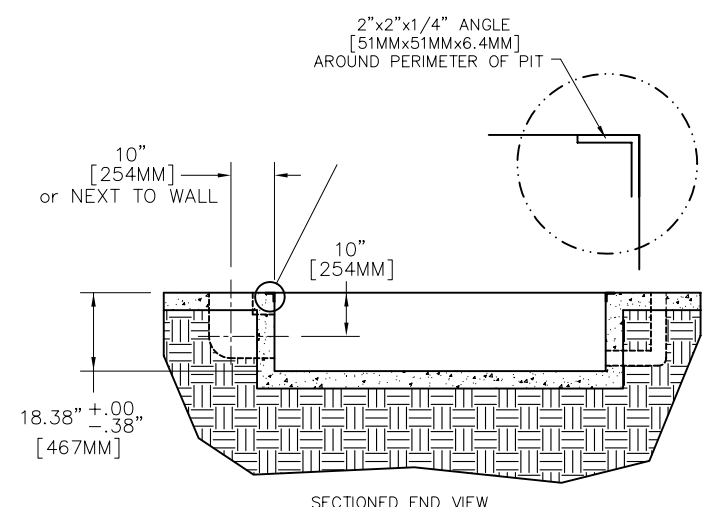
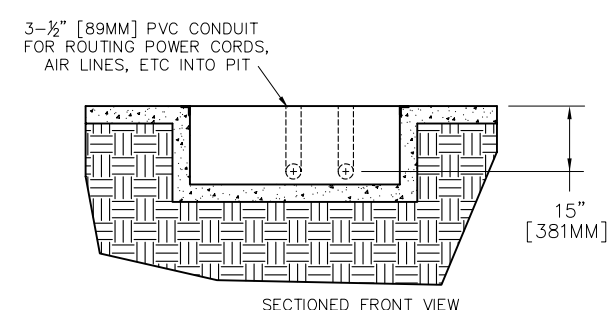
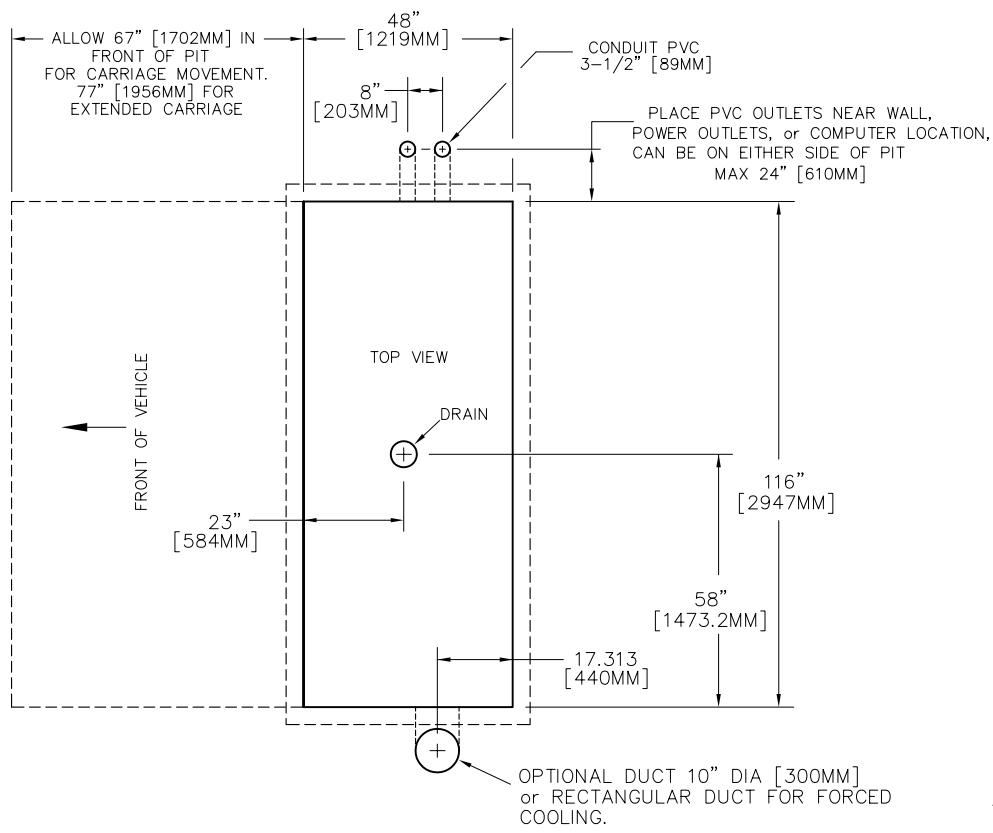


REVISIONS				
ECR#	REV	DESCRIPTION	DATE	APPROVED
5353	02	UPDATE DRAWING DIMENSIONS AND NOTES & REMOVE 3rd PAGE	07/16/07	JFE



- NOTES, UNLESS OTHERWISE SPECIFIED
1. ALL DIMENSIONS ARE IN DECIMAL INCHES.
  2. ALLOW FOR 6" AROUND PERIMETER OF PIT FOR PIT COVERS
  3. CONSULT A LOCAL CONTRACTOR AS TO PIT FLOOR AND WALL CONFIGURATION. PIT MUST SAFELY SUPPORT 3000 POUNDS
  4. CHECK W/LOCAL BUILDING AUTHORITIES BEFORE BEGINNING CONSTRUCTION
  5. IN AREAS WHERE FLOODING IS A CONCERN INSTALL A DRAIN IN PIT BOTTOM

MATERIAL: N/A		<b>DYNOJET RESEARCH</b> 200 ARDEN DRIVE, BELGRADE MT 59714	
FINISH: N/A			
UNLESS OTHERWISE SPECIFIED: TOLERANCES		<b>PIT DIMENSIONS KART/ATV/TRIKE</b>	
DECIMAL X.XX ± 0.01	FRACTIONAL ± 1/16		
X.XXX ± 0.005	ANGULAR ± 5°		
DO NOT SCALE THIS DRAWING			
CREATED: CTS	07/10/07	SIZE B	PART NO. 98229104
LAST UPDATED: CTS	07/16/07		REV 02
DESIGNED: KAN		SCALE: X:X	RELEASE DATE:
APPROVED:			SHEET 1 OF 2

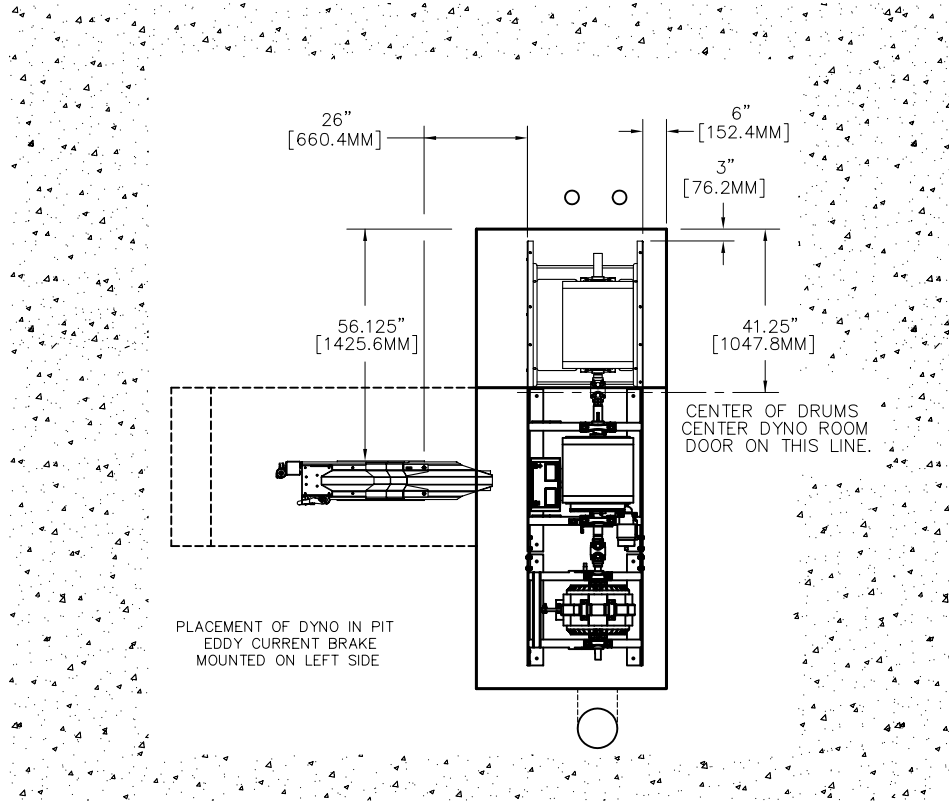
ALL IDEAS, DESIGNS, ARRANGEMENTS AND PLANS INDICATED OR REPRESENTED BY THIS DRAWING ARE OWNED BY DYNOJET RESEARCH, INC. AND WERE CREATED, EVOLVED AND DEVELOPED FOR USE ON AND IN CONNECTION WITH THE SPECIFIED PROJECT. NONE OF SUCH IDEAS, DESIGNS, ARRANGEMENTS OR PLANS SHALL BE USED BY OR DISCLOSED TO ANY PERSON, FIRM OR CORPORATION FOR ANY PURPOSE WHATSOEVER WITHOUT THE WRITTEN PERMISSION OF DYNOJET RESEARCH, INC.

DYNOJET RESEARCH, INC.

NOTES, UNLESS OTHERWISE SPECIFIED

1. ALL DIMENSIONS ARE IN DECIMAL INCHES.

REVISIONS				
ECR#	REV	DESCRIPTION	DATE	APPROVED
5353	02	UPDATE DRAWING DIMENSIONS AND NOTES & REMOVE 3rd PAGE	07/16/07	JFE



MATERIAL:	N/A
FINISH:	N/A
UNLESS OTHERWISE SPECIFIED: TOLERANCES	
DECIMAL	FRACTIONAL
X.XX ± 0.01	± 1/16
X.XXX ± 0.005	ANGULAR ± 5°
DO NOT SCALE THIS DRAWING	
CREATED:	CTS 07/10/07
LAST UPDATED:	CTS 07/16/07
DESIGNED:	KAN
APPROVED:	

<b>DYNOJET RESEARCH</b>	
200 ARDEN DRIVE, BELGRADE MT 59714	
<b>PIT DYNO LOCATION DIMENSIONS KART/ATV/TRIKE</b>	
SIZE	PART NO.
<b>B</b>	<b>98229104</b>
REV	
<b>02</b>	
SCALE: X:X	RELEASE DATE:
	SHEET 2 OF 2

ALL IDEAS, DESIGNS, ARRANGEMENTS AND PLANS INDICATED OR REPRESENTED BY THIS DRAWING ARE OWNED BY DYNOJET RESEARCH, INC. AND WERE CREATED, EVOLVED AND DEVELOPED FOR USE ON AND IN CONNECTION WITH THE SPECIFIED PROJECT. NONE OF SUCH IDEAS, DESIGNS, ARRANGEMENTS OR PLANS SHALL BE USED BY OR DISCLOSED TO ANY PERSON, FIRM OR CORPORATION FOR ANY PURPOSE WHATSOEVER WITHOUT THE WRITTEN PERMISSION OF DYNOJET RESEARCH, INC.

DYNOJET RESEARCH, INC.